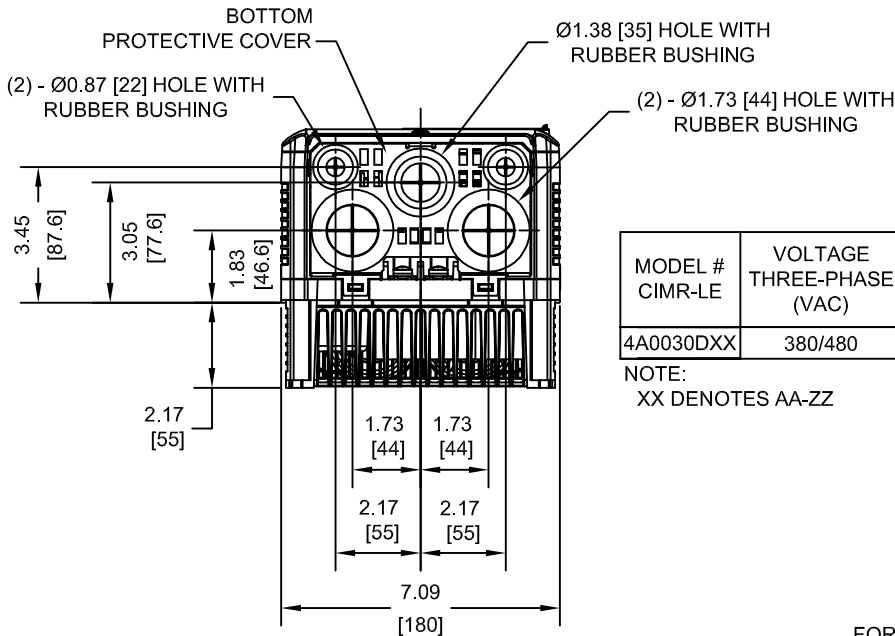
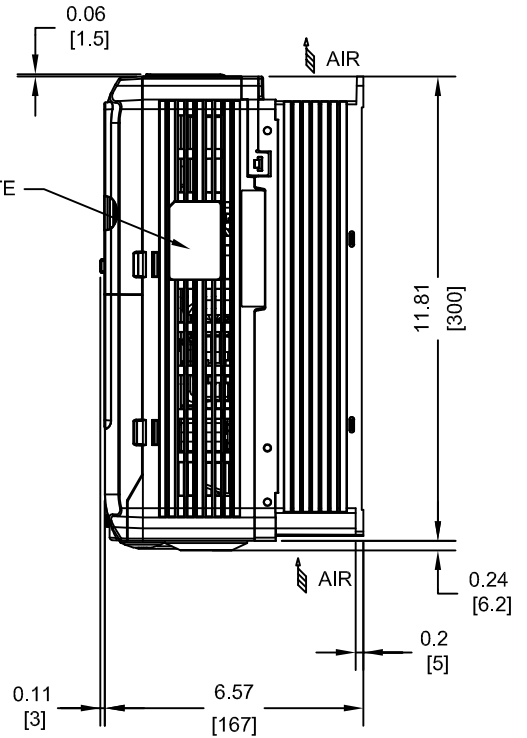
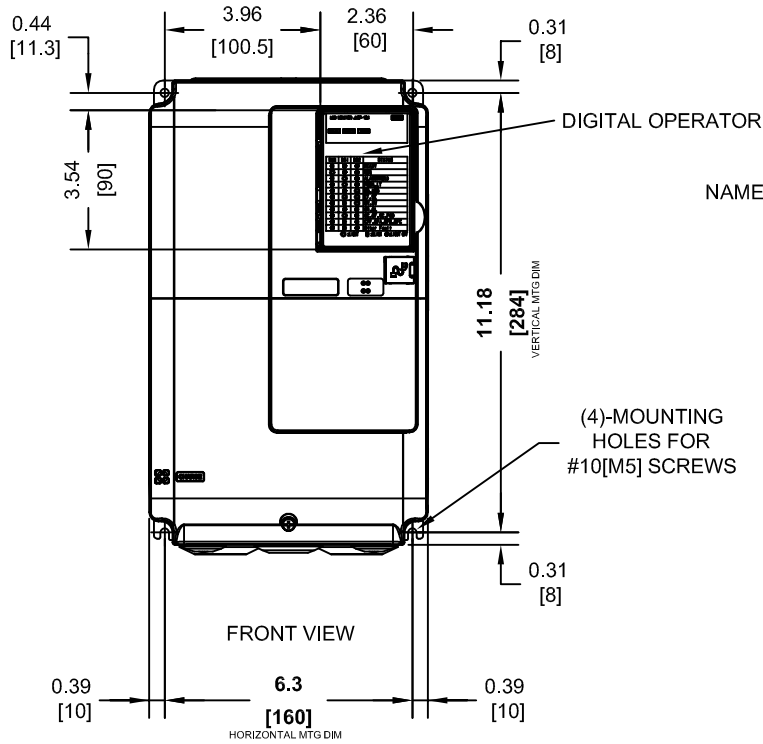


NOTE:  
REMOVE THE TOP PROTECTIVE COVER TO OBTAIN THE  
MAXIMUM SURROUNDING AIR TEMPERATURE RATING OF  
122F(50C).



MODEL # CIMR-LE	VOLTAGE THREE-PHASE (VAC)	OUTPUT CURRENT (A) 3 MIN., 50% ED	WEIGHT LBS (Kg)	HEAT LOSS (W) Fc=8kHz		
				INT	EXT	TOT
4A0030DXX	380/480	30.0	11.9 (5.4)	115.1	208.0	323.2

NOTE:  
XX DENOTES AA-ZZ

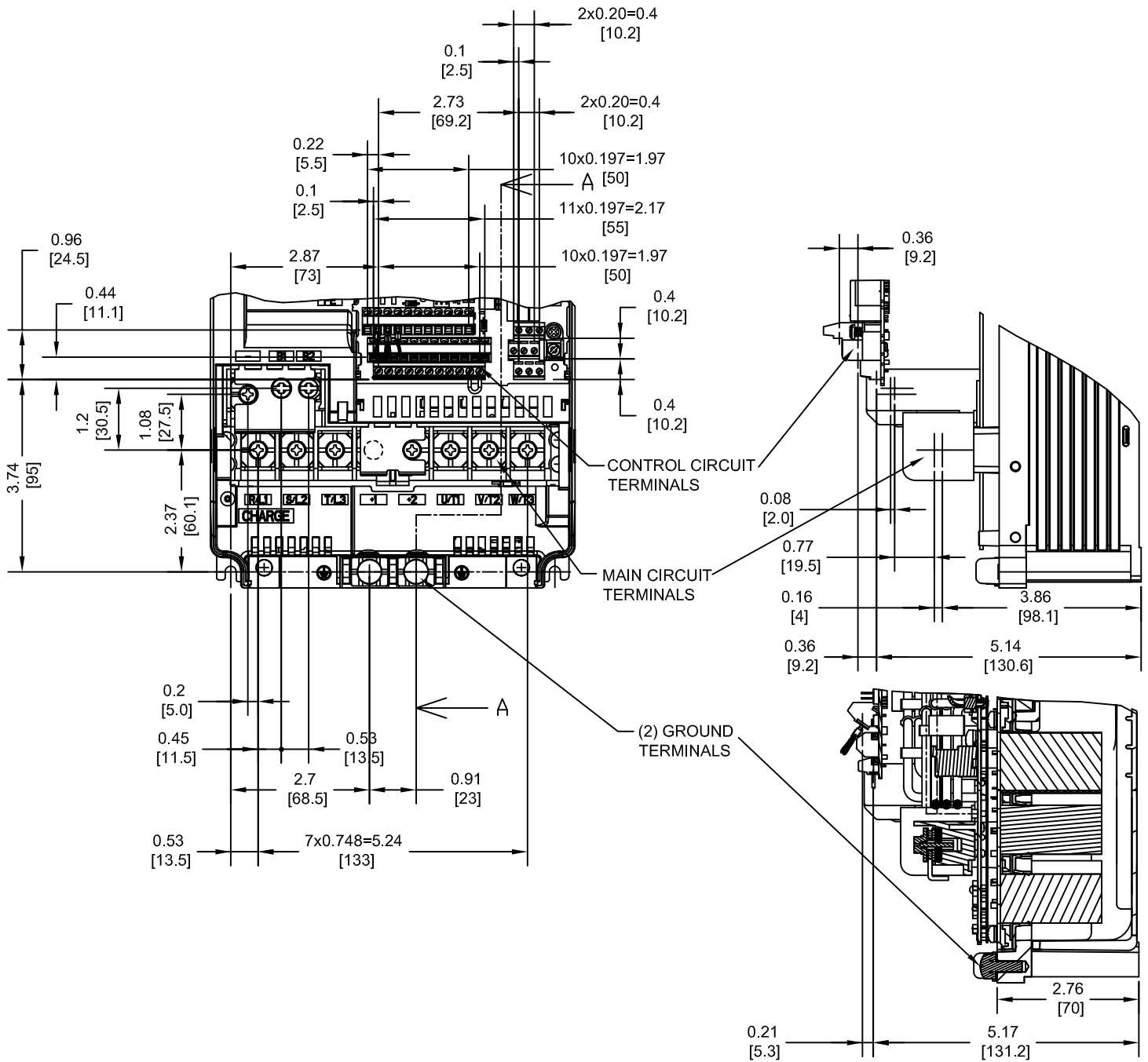
INT=INTERNAL COMPONENTS  
EXT=EXTERNAL HEATSINK  
TOT=TOTAL

FOR ADDITIONAL DETAILS AND SPECIFICATIONS, CONSULT MANUAL

TOLERANCES / REFERENCES:			DRAWN: J. MATTAS	DATE 10-17-13	TITLE: L1000E DIMENSION DRAWING		
			CHECKED: J. PIOTROWSKI	DATE 11-24-13	FRAME SIZE 4		
		TECH: L. UDDIN		DATE 12-2-13	IP00 ENCLOSURE		
		APPROVED: J. CAIRO		DATE 12-21-13	SIZE A	REVISION R00	PAGE 1 of 3
UNITS: IN [mm]	SCALE: 1:5	ORIGINAL DESIGN: -		DATE -	DRAWING #: <b>DD.L1KE.FR4.IP00</b>		

THIS DOCUMENT AND INFORMATION CONTAINED  
IN IT ARE CONFIDENTIAL, AND CANNOT BE  
COPIED OR DISCLOSED IN WHOLE OR IN PART  
WITHOUT THE EXPRESS WRITTEN CONSENT  
OF YASKAWA AMERICA, INC.

TERMINAL AND WIRING DETAILS (SCALE 1:3)



TERMINAL AND WIRE SPECIFICATIONS FOR MAIN CIRCUIT AND GROUND

SECTION A-A

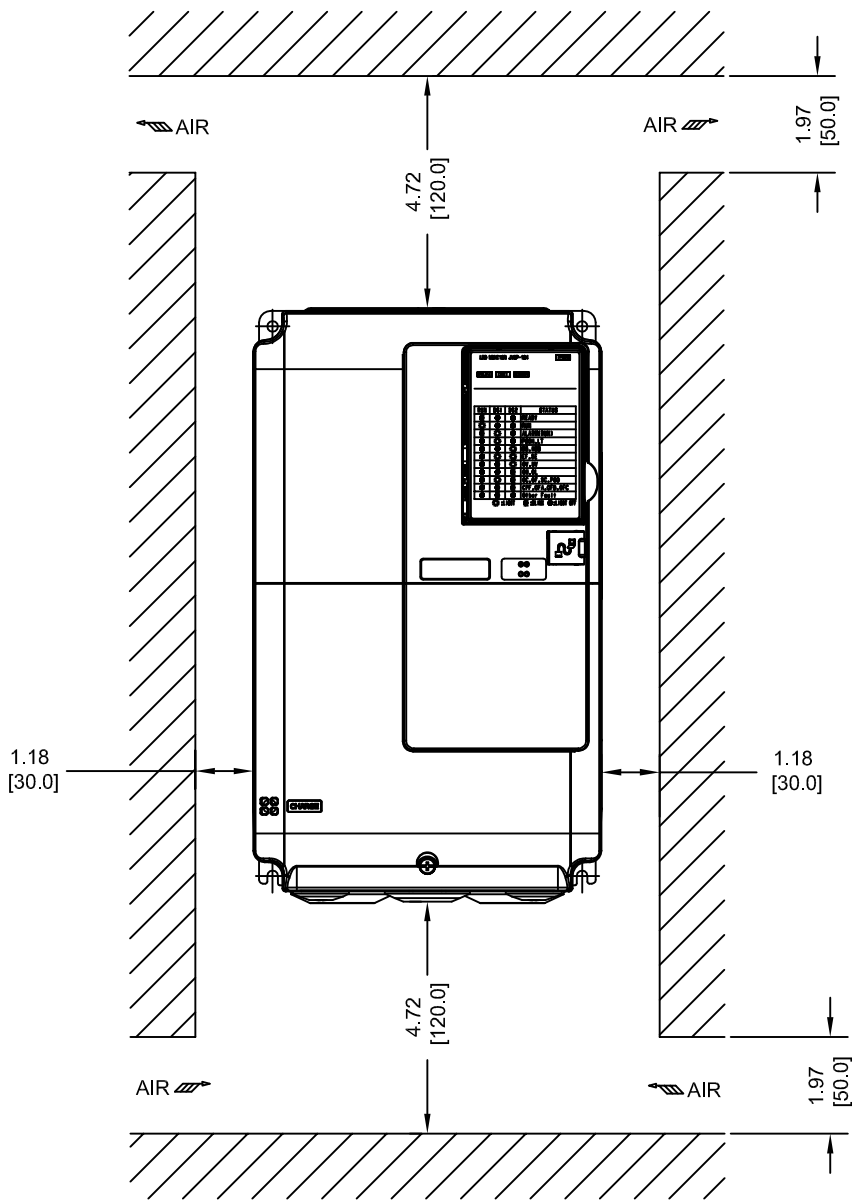
MODEL # CIMR-LE	TERMINAL SYMBOL	TERMINAL SCREW	CLAMPING TORQUE lb.in.(N.m.)	WIRE RANGE AWG(mm <sup>2</sup> )
4A0030	R/L1, S/L2, T/L3	M5	17.7 TO 22.1 (2 TO 2.5)	8-6 (10-16)
	U/T1, V/T2, W/T3			10-6 (6.0-16)
	⊖, ⊕1, ⊕2,			10-6 (6.0-16)
	B1, B2			10-8 (6.0-10)
	⊕	M6	35.4 TO 53.1 (4 TO 6)	10-8 (6.0-10)

NOTE: REFER TO APPLICABLE CODES FOR PROPER WIRE TYPE AND SIZE


FOR ADDITIONAL DETAILS AND SPECIFICATIONS, CONSULT MANUAL

TOLERANCES / REFERENCES:			DRAWN: J. MATTAS DATE: 10-17-13	DATE: 10-17-13	TITLE: L1000E DIMENSION DRAWING FRAME SIZE 4 IP00 ENCLOSURE 4A0030		
UNITS: IN [mm]    SCALE: BY VIEW			CHECKED: J. PIOTROWSKI DATE: 11-24-13	TECH: L. UDDIN DATE: 12-2-13	APPROVED: J. CAIRO DATE: 12-21-13	SIZE: A	REVISION: R00
		THIS DOCUMENT AND INFORMATION CONTAINED IN IT ARE CONFIDENTIAL, AND CANNOT BE COPIED OR DISCLOSED IN WHOLE OR IN PART WITHOUT THE EXPRESS WRITTEN CONSENT OF YASKAWA AMERICA, INC.	ORIGINAL DESIGN: -	DATE: -	DRAWING #: DD.L1KE.FR4.IP00		

MINIMUM INSTALLATION CLEARANCES (SCALE 1:4)



FOR ADDITIONAL DETAILS AND SPECIFICATIONS, CONSULT MANUAL

TOLERANCES / REFERENCES:		 THIS DOCUMENT AND INFORMATION CONTAINED IN IT ARE CONFIDENTIAL, AND CANNOT BE COPIED OR DISCLOSED IN WHOLE OR IN PART WITHOUT THE EXPRESS WRITTEN CONSENT OF YASKAWA AMERICA, INC.	DRAWN: J. MATTAS	DATE 10-17-13	TITLE: L1000E DIMENSION DRAWING		
			CHECKED: J. PIOTROWSKI	DATE 11-24-13	FRAME SIZE 4		
			TECH: L. UDDIN	DATE 12-2-13	IP00 ENCLOSURE		
			APPROVED: J. CAIRO	DATE 12-21-13	4A0030		
UNITS: IN [mm]	SCALE: BY VIEW	ORIGINAL DESIGN: -	DATE -	SIZE A	REVISION R00	PAGE 3 of 3	
			DRAWING #: <b>DD.L1KE.FR4.IP00</b>				